



easicom¹⁰⁰⁰

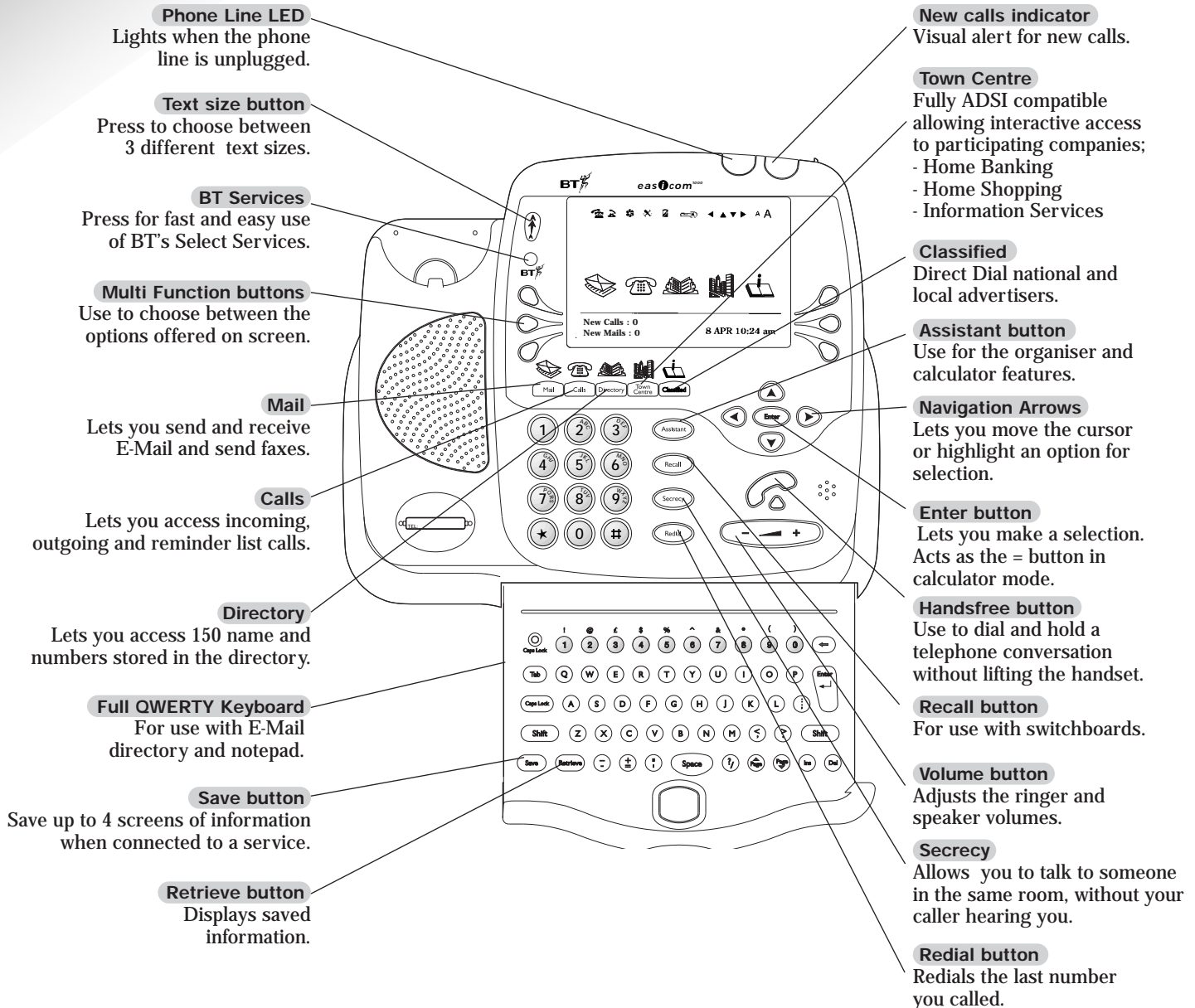
Interactive screenphone

User Guide

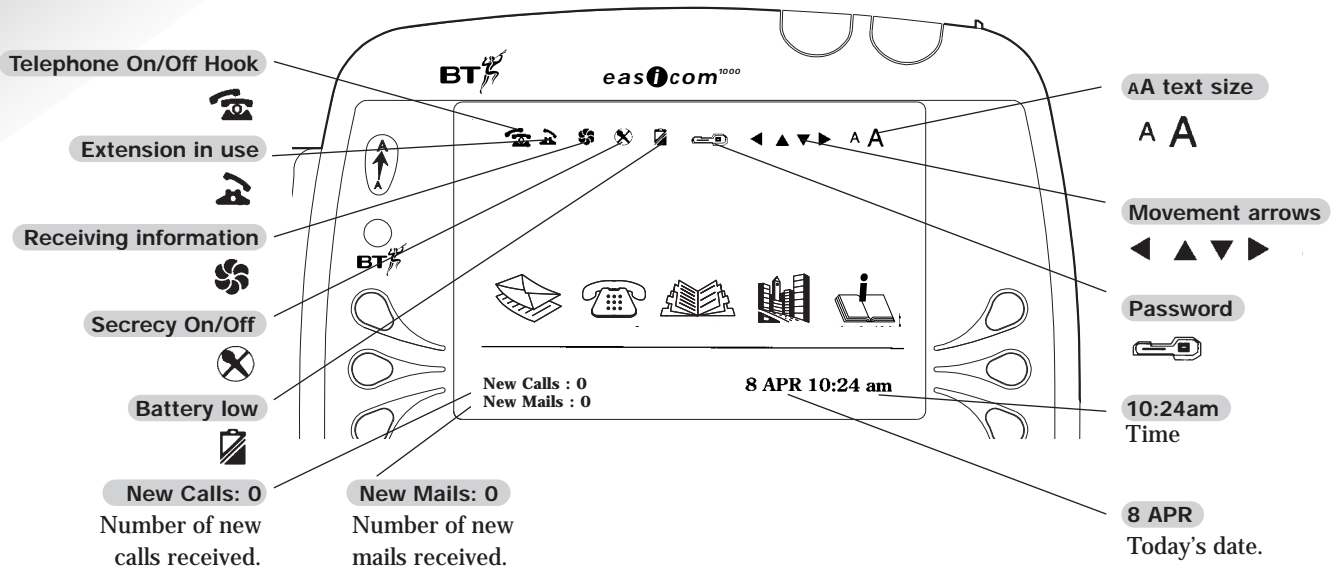
Please open this page for an 'at a glance'
guide to your **easicom**¹⁰⁰⁰.

Please open this page for a further
'at a glance' guide to your **easicom¹⁰⁰⁰**.

At a glance



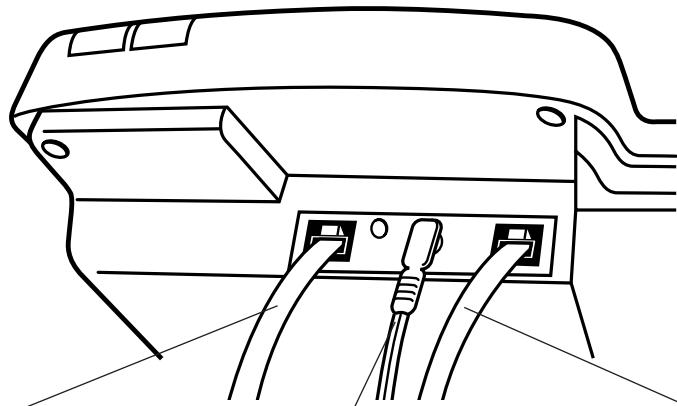
Your easicom¹⁰⁰⁰ Screen



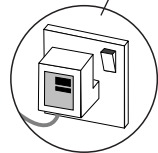
New Calls: 0
Number of new calls received.

New Mails: 0
Number of new mails received.

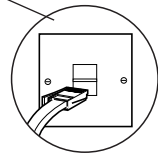
8 APR
Today's date.



Attach your easicom¹⁰⁰⁰ printer here
(available separately)



Mains power cable with 3-pin adaptor



Attached telephone line cord

Key features



Send and receive E-Mail

The **easicom**¹⁰⁰⁰ enables you to send and receive E-Mail messages around the world without needing a computer. You can also send faxes direct to any standard fax machine.



Personal Directory

Easily store and quickly access up to 150 names and numbers, as well as E-Mail addresses and fax numbers in the directory.



Caller Display

You can view information about calls you have received, making it easy to track and deal with callers.



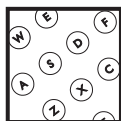
Town Centre

Saves time by providing a fast track route to interactive home shopping and services direct to your home.



Classified

Dial Direct for a complete and up-to-date list of entries in the UK Yellow Pages. You can search for companies on a national or local basis.



Pull-out QWERTY keyboard

Compact keyboard lets you type E-Mails, faxes and directory entries. With the AA button (next to the screen), you also have a choice of three on-screen text sizes.

In this guide

<i>At a glance</i> _____	1
<i>Introduction</i> _____	4
<i>Installation</i> _____	5
<i>Using your easicom¹⁰⁰⁰</i> _____	7
<i>Mail</i> _____	9
<i>Calls</i> _____	13
<i>Directory</i> _____	15
<i>Town Centre</i> _____	17
<i>Classified</i> _____	18
<i>Assistant</i> _____	19
<i>Connecting to a switchboard</i> _____	21
<i>Maintenance</i> _____	22
<i>Help</i> _____	23
<i>Technical information</i> _____	24
<i>Index</i> _____	25

Introduction

Your **easicom**¹⁰⁰⁰ has been designed for ease of use and made to the high standards set by BT.

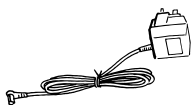
You can expect your **easicom**¹⁰⁰⁰ to give you many years of trouble-free service.

Please read the instructions carefully before use and keep this User Guide for future reference.

Unpacking your **easicom**¹⁰⁰⁰

If anything is missing, please contact your place of purchase immediately.

- **easicom**¹⁰⁰⁰ with telephone line cord attached



- Mains adaptor

- 4 X AA size batteries



- User Guide

For your records

Date of purchase:

Place of purchase:

Serial number (on the base of the telephone):

Purchase price:

For warranty purposes, proof of purchase is required, so please keep your receipt.

Personal Emergency Numbers

1	
2	
3	
4	

Installation

Follow these steps to set up your **easicom¹⁰⁰⁰** ready for use.

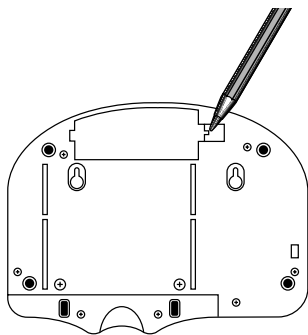
Plan the location of your **easicom¹⁰⁰⁰**

Make sure your **easicom¹⁰⁰⁰** is within 2 metres of the phone and mains sockets.

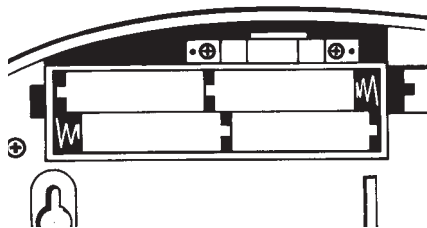
1 Insert back-up batteries

Turn your **easicom¹⁰⁰⁰** upside down.

Use the end of a ballpoint pen (or similar) to remove the battery compartment cover.



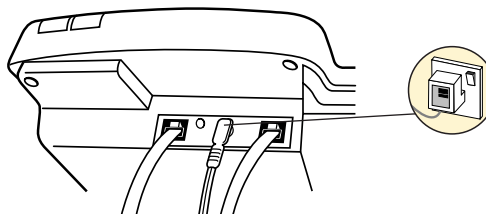
Insert batteries as shown.



Important

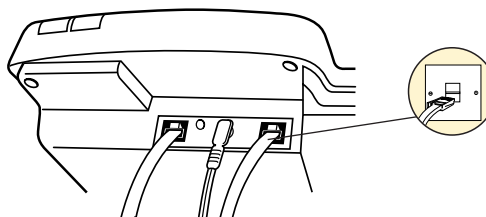
*If there is a power failure and you do not have back-up batteries fitted, the telephone will still work normally, but the caller display function will not operate and your **easicom¹⁰⁰⁰**'s screen will go blank. Information stored in the memory will be lost.*

2 Plug the mains power adaptor into to the **easicom¹⁰⁰⁰**



3 Connect the telephone line cord into to the telephone line socket

If you do not have modern phone sockets, call **Freefone 0800 800 150** and ask for a BT engineer to come and fit the correct type. This is a chargeable service.




4 Plug the power adaptor into a socket and switch on

The screen comes on and asks you to dial BT free to receive information into your phone that will make BT Select Services easier to use.

5 Call BT free to download important information

Press buttons in order shown

DIAL Press **DIAL** and follow the on-screen prompts.

When you have stored the BT information, you can access the range of BT Select Services quickly and easily by pressing the **BUTTON** to the left of the screen with  below it.



If the BT server is busy or unavailable you can dial it manually later by phoning **0800 328 1949**.

6 To set the date

DATE Press **DATE**.

KEYPAD Enter the correct date, e.g. for 6 January 1999, dial **06 01 1999**.

OK Press **OK** to confirm the date.

7 To set the time

TIME Press **TIME**.

KEYPAD Enter the time, using the 12-hour clock, e.g. for 9.30, dial **0930**. Press to select **AM** or **PM**.

OK Press **OK** to confirm the time.

EXIT Press **EXIT**.

8 To set the ringer volume

Press the button on the front of the phone marked **- +**.



+ Press for louder ringer volume.



- Press for softer ringer volume.

Your **easicom**¹⁰⁰⁰ is now ready for use.

Using your easicom¹⁰⁰⁰

To adjust the screen contrast

Press buttons in the order shown

You can make the screen darker or lighter to suit the lighting in your room. Press the buttons to select the on-screen prompts in the order shown below:

ASSISTANT then select *s*

SETTINGS or press 6, then

CONTRAST



Follow the on-screen prompts and use the **LEFT** and **RIGHT** arrow buttons to change the displayed settings.



DONE

Press **DONE**.

To change the size of the on-screen text



Press to change the text to one of 3 sizes. Leave the size you want displayed on screen.

Making and receiving calls

To make a call

Lift the handset.

KEYPAD

Dial the number you want.

To preview dial

You can dial your number and check that it is correct before making the call. Key in the number you want. It is displayed on the screen.

DIAL

Press **DIAL**. The number is dialled.

To redial the last number

Redial

The last number called is redialled.

To make a handsfree call

Press buttons in order shown

You can make a call using the loudspeaker, saving you from having to pick up the handset.



Press the **HANDSFREE** button.

Dial the number.

To adjust the loudspeaker volume

During a handsfree call:



+ Press to raise the volume



- Press to lower the volume

To use secrecy

You can stop a caller from hearing you, so that you can have a private conversation with someone else in the room.



Press **SECRECY**. The screen shows *(SECRECY)*. Your caller cannot hear you.



Press **SECRECY** to speak to your caller again. The *(SECRECY)* disappears.

Mail

Your **easicom¹⁰⁰⁰** can send and receive a total of 70 Internet E-Mail messages for up to 5 separate users.

You can also type and send faxes to any standard fax machine. However, you cannot receive faxes on the **easicom¹⁰⁰⁰**.

To scroll through your messages, sending or received, use the up and down arrows.

IMPORTANT

Please remember that E-Mail messages are sent and received via your telephone line. If you are sending or receiving an E-Mail, you cannot use your telephone at the same time.

To set up an E-Mail or fax

Press buttons in the order shown

The first time you use your **easicom¹⁰⁰⁰** to send an E-Mail or fax, you need to enter your details in the set-up menu. Up to 5 different users can store their details in the memory.



Press the **MAIL** button.



Use the **ARROW** buttons to highlight **SETTING**.

SELECT

Press **SELECT**. Display shows the **USER DETAILS** menu.



Use the **ARROW** buttons to highlight your user number on the display.

SELECT

Press **SELECT**.

EDIT

Press **EDIT**.

KEYPAD

Enter the E-Mail ID Password and Server numbers supplied with your **easicom¹⁰⁰⁰** in order to register and send/receive mail to your phone.

KEYPAD

Type your name next to **FAX NAME**. This appears on the headers of all faxes you send.

DONE

Press **DONE** to confirm your settings.

EXIT

Press **EXIT**.

Please Note

When you enter your password a row of asterisks () will appear to keep this information private.*

To turn OFF BT Call Waiting

Please turn off BT's Call Waiting service before sending or receiving your mail, as an incoming call may interfere with your messaging.



KEYPAD

Lift the handset or press **HANDSFREE**.

Key in **#43#** and wait for the voice prompt to confirm that Call Waiting has been switched off.



Hang up.

To turn Call Waiting back on



KEYPAD

Lift the handset or press **HANDSFREE**.

Key in ***43#** and wait for the voice prompt to confirm that Call Waiting has been switched on.



Hang up.

To create and send an E-Mail

You must have first followed the steps in 'To set up an E-Mail or fax'.



Press the **MAIL** button to open the mail menu.



Use **ARROW** buttons to highlight **COMPOSE**.

SELECT

Press **SELECT**.

KEYPAD

Enter the subject of your E-Mail on the line starting 'Subject'.

ADDRESS

Press **ADDRESS**.

You can send your E-Mail to up to 5 separate addresses.

E-Mail

Select **E-Mail**. Addresses previously stored in the directory will be displayed.

Either



Use the **ARROW** buttons to highlight the address you want.

Or

KEYPAD

Type in the address details.

SELECT

Press **SELECT**. If you would like to send to more than one person choose additional addresses and press **SELECT** each time up to a maximum of 5.

DONE

Press **DONE**.

KEYPAD

Type your message.

Your **easicom¹⁰⁰⁰** can send or receive up to 30 lines per E-Mail and up to a total of 70 messages.

SEND
TO
OUTBOX

Press **SEND TO OUTBOX** to store your message ready for sending.

To keep a copy of your E-Mail

COPY
SELECT

Go to the Outbox, highlight that mail that you would like to keep a copy of, press **COPY**, a box will appear asking if you would like to copy to draft, press **SELECT** and a copy of your mail will now be saved in the draft log for future reference,.

SAVE
TO DRAFT

Select **SAVE TO DRAFT** to store your mail for editing/sending later.

Or

To keep a copy of your E-Mail use the **ARROWS** to highlight the mail that you would like to keep.

COPY

Press **COPY**. A box will appear asking if you would like to **COPY TO DRAFT**.

SELECT

Press **SELECT** and a copy of your mail will now be saved in the draft log for future reference.

SEND/
RECEIVE

Press **SEND/RECEIVE** and check that the E-Mail account information shown on the screen is your own.

SEND/
RECEIVE

Press **SEND/RECEIVE** again to send.

To receive an E-Mail

Press buttons in the order shown



You must have first followed the steps in 'To set up an E-Mail or fax' so that you have saved your E-Mail/Fax account information.



Press the **MAIL** button.

SEND/
RECEIVE

Press **SEND/RECEIVE** and check the user details shown are your own. Press **SEND/RECEIVE** again. Please note that any e-mail in your Outbox will also be sent.

SEND/
RECEIVE

Press **SEND/RECEIVE** and check that the E-Mail account information that appears on screen is your own.

Or

Press **SEND/RECEIVE** again to receive.

Received Messages

A counter above the Inbox shows the number of new messages waiting.



Use the arrow buttons to highlight the **INBOX**, press **SELECT**.



Use the arrow buttons to highlight the mail you want to read.

SELECT

Press **SELECT** to display the E-Mail message.



You can use the up and down **ARROWS** or **PAGE UP** and **PAGE DOWN** on the pull out keyboard to move through your mail.



To send a fax

Press buttons in the order shown

You must have first followed the steps in 'To set up an E-Mail or fax' above so that you have saved your E-Mail/Fax account information.

Press **MAIL**.



Use the **ARROWS** to highlight **COMPOSE**.

KEYPAD

Type the subject of your fax on the line starting '**Subject**'.

ADDRESS

Press **ADDRESS**.



Use the **ARROWS** to highlight **FAX**. If you have previously stored fax numbers in the directory, they are shown.

SELECT

Press **SELECT**.



Use **ARROWS** to highlight names and numbers from the fax directory.

SELECT

Press **SELECT** again to choose the highlighted name and number.

The fax details now appear at the top of the screen.

DONE

Press **DONE** to complete addressing your fax.

KEYPAD

Type your fax message.

SEND
TO
OUTBOX

Press **SEND TO OUTBOX** to store your fax ready for sending.

Or

SAVE
TO
DRAFT

If you want to save your message for editing later, press **SAVE TO DRAFT**.

To keep a copy of your Fax



Press **MAIL**.

Go to the Outbox, highlight the fax that you would like to keep a copy of, press copy, a box will appear asking if you would like to copy to draft, press **SELECT** and a copy of your fax will now be saved in the draft log for future reference. Use the **ARROWS** to highlight the mail that you would like to keep.

SELECT



Press **COPY**. A box will appear asking if you would like to **COPY TO DRAFT**.

SELECT

Press **SELECT** and a copy of your fax will now be saved in the draft log for future reference.

SEND

Press **SEND**. Check that the fax account information that appears on screen is correct.

SEND

Press **SEND** again to confirm and send.

Calls

Your **easicom¹⁰⁰⁰** works with BT Select Services Caller Display and Caller Display with Call Waiting. These are available on subscription. For further information, call BT on **FREEfone 0800 800 150**.

When you subscribe to Caller Display and Call Waiting services, your **easicom¹⁰⁰⁰** will display the number of the person calling as well as the number of a caller who is trying to contact you even if you are already using the line.

Caller Display

Your **easicom¹⁰⁰⁰** stores information on the most recent incoming and outgoing calls giving the time and date of each call. If you have stored the name and phone number of the caller in the directory, it will also display the name.

There is also a Reminder List which lets you set up to 60 Reminder Alarms to your phone.

New Calls light

Press buttons in the order shown

The red Calls light comes on to let you know when you have received new calls.

To view the Calls List



Press the **CALLS** button. Display shows a 50 Number Incoming Calls List, a 10 Number Outgoing Calls List and the Reminder List where you can set up to 60 Reminder Alarms.

SELECT

Press **SELECT** to highlight the list you want.

To delete a single entry in a Calls List



Press the **CALLS** button. The display shows the Calls Lists.



Use the **ARROW** buttons to highlight the Incoming Calls, Outgoing Calls or Reminder Alarms list.

SELECT

Press **SELECT** to highlight the entry you want to delete.

DELETE

Press **DELETE**. A dialogue box asks you to confirm.

YES/NO

Choose **YES** or **NO** to delete or to cancel the delete command.

To delete all entries in a calls list

Press buttons in the order shown



Press the **CALLS** button. Display shows the Calls Lists.



Use the **ARROW** buttons to highlight the Incoming Calls, Outgoing Calls or Reminder Alarms list you want to delete.

CLEAR ALL

Press **CLEAR ALL**. A dialogue box asks you to confirm.

YES/NO

Press **YES** to delete or **NO** to cancel.

Caller Display Text messages

Your **easicom¹⁰⁰⁰** can also display text messages sent via the Caller Display service. These messages provide extra information about the type of call you have received.

INTERNATIONAL

Call received from outside the UK.

UNAVAILABLE

The caller's network does not operate a caller display service.

WITHHELD

The caller has stopped their number from being sent.

OPERATOR

The call has come via the operator.

PAYPHONE

The caller is ringing from a payphone.

RINGBACK

The telephone number that you have set on Ringback is now free to receive your call.

Call Waiting

Call Waiting lets you know if another caller is trying to reach you when you are already on the phone.

To answer a call waiting whilst on a call

You hear a beep in the earpiece and your **easicom¹⁰⁰⁰** screen displays **SWITCH**.

SWITCH

Press **SWITCH** to put your first call on hold and talk to your second caller.

SWITCH

Press **SWITCH** again to talk to your first caller again.

If one call hangs up, you are automatically connected to the remaining caller.

Directory

Your **eas@com**¹⁰⁰⁰ can store up to 150 names and numbers, E-Mail addresses and fax numbers in the directory.

To add an entry

Press buttons in the order shown



Press the **DIRECTORY** button.

NEW

Press **NEW**.

KEYPAD

Enter the name you want.

Move the cursor to the next line down.

KEYPAD

Enter the number you want.

Use the pullout keyboard to enter the persons details.

SAVE

Press **SAVE**.

If you need to add a Pause to the number you are storing, press the **P** button on the pull-out keyboard where you want to Pause to be placed in the number. The Pause will be shown as *P* on the display.

To dial a directory entry



Press the **DIRECTORY** button.

ARROWS

Press the **ARROW** buttons to scroll through the list and highlight the name you want.

DIAL

Press **DIAL**.



If you have more than one number stored for the same name, a dialogue box asks you to select the number you want by highlighting it with the **ARROW** buttons and then pressing the **DIAL** button again.

DIAL

To delete an entry



Press the **DIRECTORY** button.



Press the **ARROW** buttons to scroll through the list and highlight the name you want to delete.

DELETE

Press **DELETE**. A dialogue box asks you to confirm the delete.



Use the **ARROW** buttons to highlight **YES** to delete or **NO** to cancel.

YES

Press **YES** to confirm deletion.

To set different ring tones for directory entries (works with BT's Caller Display Service).

Press buttons in order shown

You can allocate up to 9 different ring tones for entries in the **easicom¹⁰⁰⁰** directory. For example, you could set different tones for business or personal numbers. You can set the ring tone for new and existing entries.



Press the **DIRECTORY** button.

Either



Press the **ARROW** buttons to scroll through the list to find an existing name.

Or

ADD

Press **ADD** to start a new entry.

**RING
SOUND**

Press **RING SOUND** to hear a sample of the current ringer. Return to the standard ringer sound, by pressing the **RING SOUND** button until there is no number shown next to it on the display.

SAVE

Press **SAVE** to save your entry with the ringer sound that is highlighted.

Copying numbers into the directory

Whenever you receive a number in the calls list, you can copy it into your **easicom¹⁰⁰⁰**'s directory.

To copy a phone number

When the Incoming or Outgoing Calls List is displayed:

COPY

Press **COPY** and follow the on-screen prompts to add the number to the directory.

Town Centre

Within the Town Centre on the **easicom¹⁰⁰⁰** are stored the details and telephone numbers of leading brands within the UK. You can browse through the information and dial direct to the shops listed here at the touch of a button.

As more and more services become available direct from the **easicom¹⁰⁰⁰** the choice available to you through the Town Centre will grow.

If you are interested in becoming a Service Provider on **easicom¹⁰⁰⁰** Town Centre please contact us on 01565 872444.

The first time you dial from the **easicom¹⁰⁰⁰**, Town Centre information will be downloaded into your phone to make it easier for you to access services such as home banking and to shop direct from home. This will only take approximately 1 minute to complete.

To select a Town Centre Street

Press buttons in the order shown



Press the **TOWN CENTRE** button.



Use the **ARROW** buttons to highlight the street you require.

DIAL

Press **DIAL**.

To restore a deleted street

If you delete a shopping or service street and want to bring it back again, just highlight it as described left and

RESTORE

Press **RESTORE**.

Classified

Your **eas@com¹⁰⁰⁰** has direct dial access to Classified Advertising for your convenience. Now you can find any listed company for the whole of the UK.

To find a company nationally in Classified Advertising



Press buttons in the order shown

Press the **CLASSIFIED** button to select the company you want to call.

DIAL

Press **DIAL**. The number is dialled, then you are guided step by step on screen until you find the company you are looking for.

Assistant

Assistant gives you quick access and help with all the additional features of your **easicom¹⁰⁰⁰**. The pull-out keyboard makes it easy to use these features, which are:

Calendar	Calculator
Notepad	World time
Country codes	Settings

To open an additional feature

Press buttons in the order shown

Assistant

Press the **ASSISTANT** button. Use the **ARROW** buttons to highlight the feature you want.

Enter

Press the **ENTER** button to open the feature you have selected.

Calendar

Once open, you can use the calendar to set reminders for special events.

To use the calculator

Once open, the calculator offers 4 modes of operation:

- 1 Simple calculator.
- 2 Tabulation.
- 3 Currency conversion.
- 4 Unit conversion.

(By Linear measure, Square measure, Capacity measure, Avdp. Weight or mass, and Temperature equivalents.)

For currency conversion.

Use the **ARROW** buttons to highlight each country.

KEYPAD

Enter the up-to-date currency rates for each of the currencies you want to calculate.

DONE

Press **DONE**.

KEYPAD

Choose the currency that you would like to use by highlighting and pressing **CHANGE SELECTION**.

KEYPAD

Type in the amount of that currency you want to convert, e.g. £100.

Enter

Press the **ENTER** button. The currency is converted and displayed.

To use the notepad

Press buttons in the order shown

Once the notepad is open:

KEYBOARD

Use the keyboard to type notes.

SAVE

Press **SAVE**. (The *SAVE* symbol appears to remind you.)

World time

Once open, world time lets you quickly find out time differences around the world.

To use country codes

Once open, you can quickly find out dialling codes from the UK to countries around the world.

Use the **ARROW** buttons to highlight the country you want.

Enter

Press the **ENTER** button. The country code is automatically dialled.

KEYPAD

Dial the rest of the number of the person you are calling.

To adjust the settings of your easicom¹⁰⁰⁰

Once open, you can adjust the following settings using the **ARROW** buttons to highlight the setting you want to change.

Call Timer – select either **ON** to time each call or **OFF**. The Call Timer will be displayed on the phone's Main Screen.

Time – select between the 12 or 24 hour clock.

Contrast – to lighten or darken your screen.

Password – set a password to protect your personal information, stored in the memory.

Ring Sound – choose the ringer melody you prefer; there are 9 options available.

Extn in Use – select **ON** if you wish to have the in-use light come on when another extension on the same line is in use.

Smart Redial – remembers the pauses between numbers you dial. This is useful for calling home banking or chargecard automated services.

Connecting to a switchboard

Currently, Caller Display and BT Select Services are not available when your **easicom¹⁰⁰⁰** is connected to a switchboard. However, it will operate as a normal phone.

See your switchboard user guide for instructions on using the **Recall**, **Pause**, **#** and **★** buttons to access the switchboard's features.

Maintenance

General

Simply clean the **easicom¹⁰⁰⁰** handset and base with a soft cloth. Do not use a wet cloth.

Do not clean with abrasive materials or solvents as these may damage the unit.

Do not spray aerosol cleaner onto the base or handset.

Warning

Your **easicom¹⁰⁰⁰** may become warm. This is normal and not dangerous. However, you should avoid placing the unit on untreated antique furniture.

Keep your **easicom¹⁰⁰⁰** away from areas of high humidity and out of direct sunlight.

Do not stand it on carpets or other surfaces which generate fibres or place it in locations which prevent the free flow of air over its surfaces.

This equipment is only designed to be used in a normal office or domestic environment where the relative humidity does not exceed 60%. It should not be used in bathrooms or near water.

Service

Within guarantee

If you experience a problem with your **easicom¹⁰⁰⁰** or handset, you should contact the **easicom¹⁰⁰⁰** Helpline on **08457 573464**. Lines are open 8.30am-5.30pm, Monday-Friday, excluding bank holidays. Calls are charged at local call rates. If the problem is not solved, you will be advised to contact your original point of purchase.

Some retailers offer extended warranty schemes for cover outside the initial 12-month period. Please ask them for details.

Outside warranty

If your **easicom¹⁰⁰⁰** needs repair after the warranty period has ended, call the **easicom¹⁰⁰⁰** Helpline on **08457 573464** for information on our recommended repair agents.

If you have to return your **easicom¹⁰⁰⁰**

Pack the cradle and handset securely, preferably in the original packaging. All parts must be returned including line cords, power supply unit and original battery. We cannot take responsibility for goods damaged in transit.

Help

Your **easicom¹⁰⁰⁰** does not receive Caller Display messages

To receive and display messages you must subscribe to the Caller Display and Call Waiting services on your line.

For further information, call BT free on **Freefone 0800 800 150** (residential customers) or **Freefone 0800 800 152** (business customers) or your Service Provider.

Phone does not ring

Check that the ringer volume is not turned down too low.

Check that no other phones on the same line have been left off the hook.

Do you have too many phones in your home?
(See *'How many phones can you have?'* page 25.)

Screen does not work properly

Check that the mains power has been connected correctly.

The battery cover must be fitted correctly in order for your **easicom¹⁰⁰⁰** to work.

E-Mail Help

I have not received any incoming E-Mail.
You must dial the server to collect any E-Mail waiting there for you. Just press the **MAIL** button, followed by **SEND/RECEIVE**.

Why do some of my E-Mails get returned to me by the Postmaster?

This could be because an incorrect E-Mail address has been used. Please double check to make sure that you have addressed your mail correctly.

Why do some of E-Mails I receive have = in between words?

This is because some of your mail has been re-formatted as it has passed through the internet. Please ignore the = symbols as you read through your mail.

When I enter my password, only stars appear on the screen?

Stars are used to display the password to keep this information private.

I sometimes receive E-Mails with attachments removed?

The **easicom¹⁰⁰⁰** is for text messages only and is unable to receive attachments or pictures.

Helpline

If you are still experiencing difficulty, call the **easicom¹⁰⁰⁰** Helpline on **08457 573464**.

Lines are open 8.30am-5.30pm, Monday-Friday, excluding bank holidays.

Technical information

Connection Information

Your **easicom¹⁰⁰⁰** may be connected to public networks in the UK. It may be connected to switchboards that use tone signalling with time break recall. If you are in doubt, contact your switchboard supplier.

How many phones can you have?

All items of telephone equipment have a Ringer Equivalence Number (REN), which is used to calculate the number of items that may be connected to any one telephone line. Your **easicom¹⁰⁰⁰** has a REN of 1. A total REN of 4 is allowed. If the total REN of 4 is exceeded, the telephones may not ring. With different telephone types there is no guarantee of ringing, even when the REN is less than 4.

Guarantee

If you own your **easicom¹⁰⁰⁰** - under guarantee

BT guarantee the product for one year provided that:

- The equipment has only been used for its proper purpose and has not been subjected to misuse or has been wilfully or accidentally damaged.

- The equipment has not been tampered with or repaired by anyone other than BT, its staff, or agents.

If a fault does occur in this product and you bought the unit yourself, provided that you return it to the place of purchase and produce your receipt, it will be either repaired or replaced free of charge.

The terms and conditions of this guarantee do not affect your statutory rights.

If you own your **easicom¹⁰⁰⁰** - outside guarantee.

If your **easicom¹⁰⁰⁰** needs repair after the guarantee period has ended, it must be repaired so as to comply with the approval requirements for connection to the telephone network.

We recommend that you call BT on **Freefone 0800 800 150** or visit your nearest BT shop, and you will be informed of our recommended repair agents.

Index

Adjusting loudspeaker volume	8	Mail	9
Adjust settings	20	E-Mail Help	23
Assistant	19	Create and send an E-Mail	10
At a glance	1	Receive an E-Mail	11
Battery, Installing	5	Save Mail	10
Calculator	19	Send a fax	12
Calendar	19	Set up an E-Mail or fax	9
Caller Display	13	Maintenance	22
Caller Display, Text messages	14	Making calls	7
Calls	13	Notepad	20
Calls List	13	Open features	19
Calls, Making	7	Password	20
Calls Timer	20	Power	5
Call Waiting	10, 14	Preview dial	7
Classified	18	Redial last number	7
Contrast	7, 20	Ring sound	20
Country codes	20	Secrecy	8
Date	6	Select services	6, 10, 13, 14
Directory	15	Service	22
Add an entry	15	Smart redial	20
Copying numbers into	16	Switchboard	21
Delete an entry	15	Technical information	25
Dial an entry	15	Telephone line	5
Set different ring tones to entries	16	Text size	7
Extn in use	20	Time	6, 20
Fax send	12	Town Centre	17
Guarantee	25	Restore a deleted street	17
Handsfree calls	8	Select a street	17
Helpline	24	Volume	6
Help	23	Warning	22
Loudspeaker	8	World time	20



*Offices in Europe, North America,
Japan and Asia Pacific.*

The telecommunications services described in this publication are subject to availability and may be modified from time to time. Services and equipment are provided subject to British Telecommunications plc's respective standard conditions of contract. Nothing in this publication forms any part of any contract.

Touchtone™ is a registered trade mark of British Telecommunications plc in the UK.

© British Telecommunications plc 1998.
Registered Office: 81 Newgate Street, London EC1A 7AJ.
Registered in England No. 1800000.
Printed in XXXXX. *eastcom 1000* Issue 1 (10/98) 4.3
Designed by The Art & Design Partnership Limited.



CE compliant to 89/336/EEC
(EMC Directive) & 73/23/EEC
(Low Voltage Directive)

